

# Profile Edging



## FOR PERFORATED METAL AND WOVEN MESH

Manufacturing perforated sheets with blank margins can be costly and time consuming where many different sizes and small quantities of panels are involved.

Graepel 'Click Profile' and 'U strip' are designed so that standard sheeting can be easily framed enabling stock sheeting to be used, thus saving time and money.

'Click Profile' frames raw edges and helps to make floppy sheets rigid.

'U Strip Profile' frames raw edges of sheets but contribute less to the stiffness due to its flatter profile.

'Click Elbow' aligns joints making it possible to edge panels without having to weld the corners. Any angle can be obtained by simply bending the profile to the required shape before insertion.

Lengths – Click profile is available in 3m lengths and 'U' strip in 3.8m lengths.

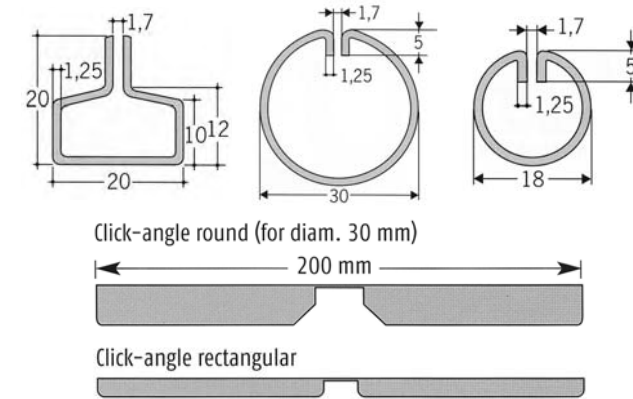
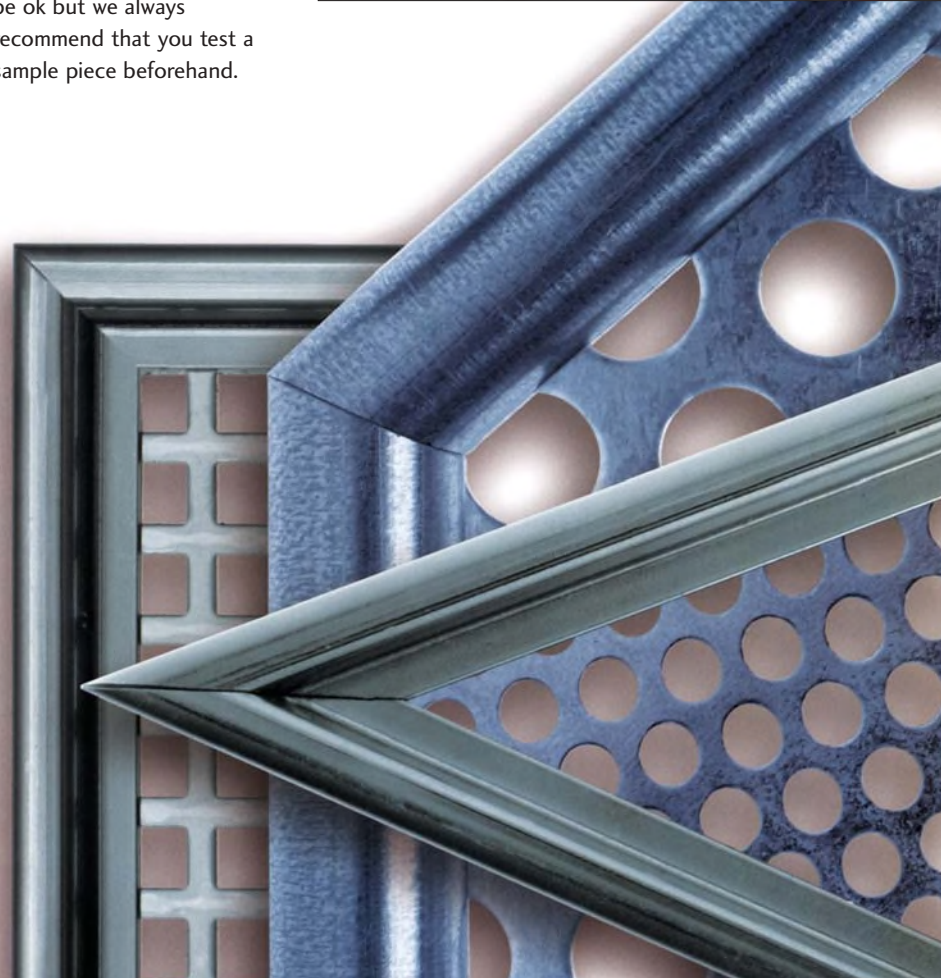
Material types – Click Profile and 'U' strip is available in mild steel, (galvanised steel - click profile only) and stainless steel.

Material Thickness – 1.2mm for click profile and between 0.6mm and 2.5mm for U strip.

Galvanising – Galvanising click profile is possible but it is not recommended however small panels have been known to be successful. We would recommend that you test a sample piece before going ahead with your project.

Galvanising panels with 'U' strip profile is easier provided that they are not too large. Balustrade sized panels tend to be ok but we always recommend that you test a sample piece beforehand.

Click Round with perforated sheeting



The Click Elbow Joints are useful in situations where it is difficult to weld the profile together or where very clean joints are required.

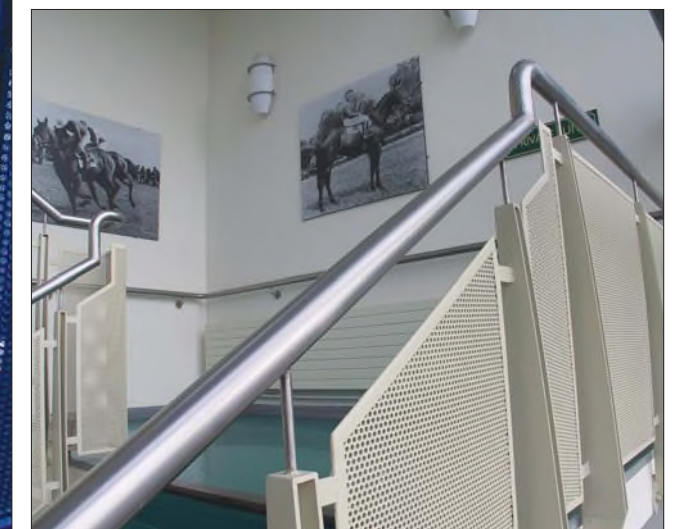
Graepel Click Rectangular and Round are available in 3m lengths ex-stock in: Mild Steel, Galvanised, and Stainless Steel.



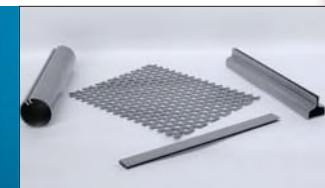
Click Rectangular with perforated sheeting

The list below shows a selection of our stock of edging U-Strip in both Stainless Steel and Mild Steel.

| section profile | ref  | depth | gauge | gap   | length | weight |
|-----------------|------|-------|-------|-------|--------|--------|
| full size       |      | mm    | mm    | mm    | metres | kg     |
|                 | us2  | 6.35  | 0.6   | 1.8   | 1.90   | 0.14   |
|                 | us3  | 12.7  | 0.90  | 1.8   | 2.54   | 0.50   |
|                 | us4  | 19.05 | 1.20  | 1.8   | 3.81   | 1.46   |
|                 | us5  | 31.75 | 1.20  | 1.8   | 3.81   | 2.38   |
|                 | us6  | 12.7  | 0.90  | 3.4   | 2.54   | 0.56   |
|                 | us7  | 19.05 | 1.20  | 3.4   | 3.81   | 1.49   |
|                 | us8  | 31.75 | 1.20  | 3.4   | 3.81   | 2.41   |
|                 | us9  | 19.05 | 1.20  | 6.5   | 3.81   | 1.60   |
|                 | us10 | 31.75 | 1.20  | 6.5   | 3.81   | 2.52   |
|                 | us11 | 19.05 | 1.50  | 10.16 | 3.81   | 1.71   |
|                 | us12 | 25.40 | 1.50  | 10.16 | 3.81   | 2.40   |
|                 | us13 | 25.40 | 2.50  | 10.16 | 3.81   | 3.88   |
|                 | us14 | 38.10 | 1.50  | 10.16 | 3.81   | 3.47   |
|                 | us15 | 38.10 | 2.50  | 10.16 | 3.81   | 5.80   |



U strip edging on perforated sheet



Edging Profile Range



Click Round



Click Round with elbows



Click Rectangular



Click Rectangular with elbows



'U' Strip



U Strip Profile



Click rectangular with elbow inserts